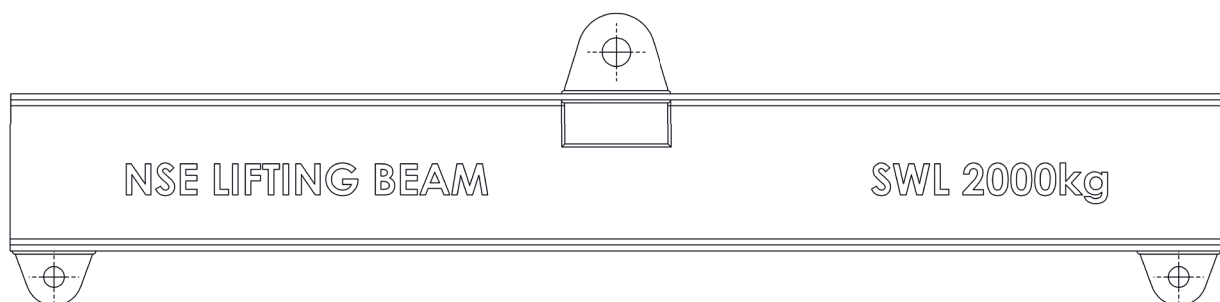


## LIFTING BEAM

- > A useful, yet simple design for a range of lifting applications
- > Custom built to suit a range of different design parameters
- > Safe working load of up to 5.5 tonnes
- > Rugged robust design
- > Design is structurally certified in accordance with Australian Standards - AS 4991, for general purpose lifting
- > Made in Australia



TWO DIFFERENT BASIC LIFTING  
BEAM ARRANGEMENTS



BASIC LIFTING BEAM ARRANGEMENT LAYOUT